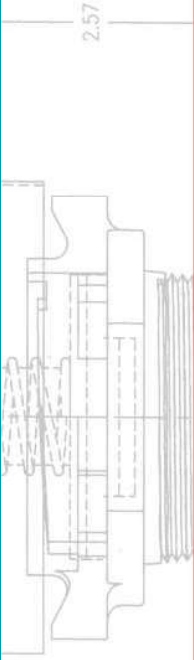
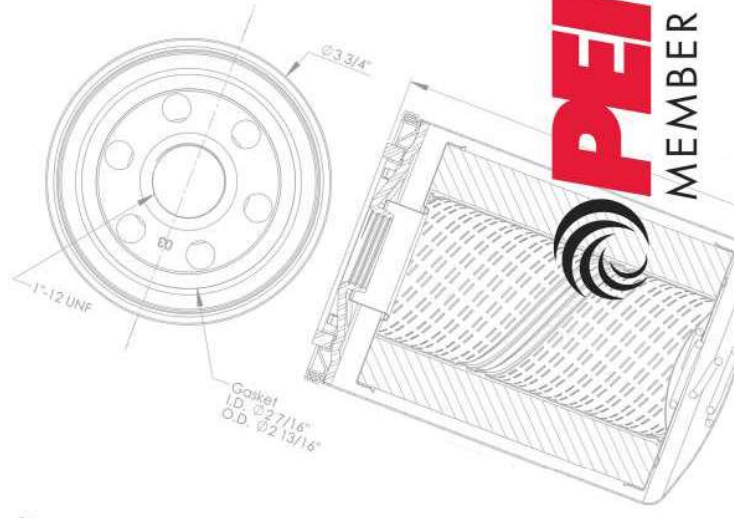
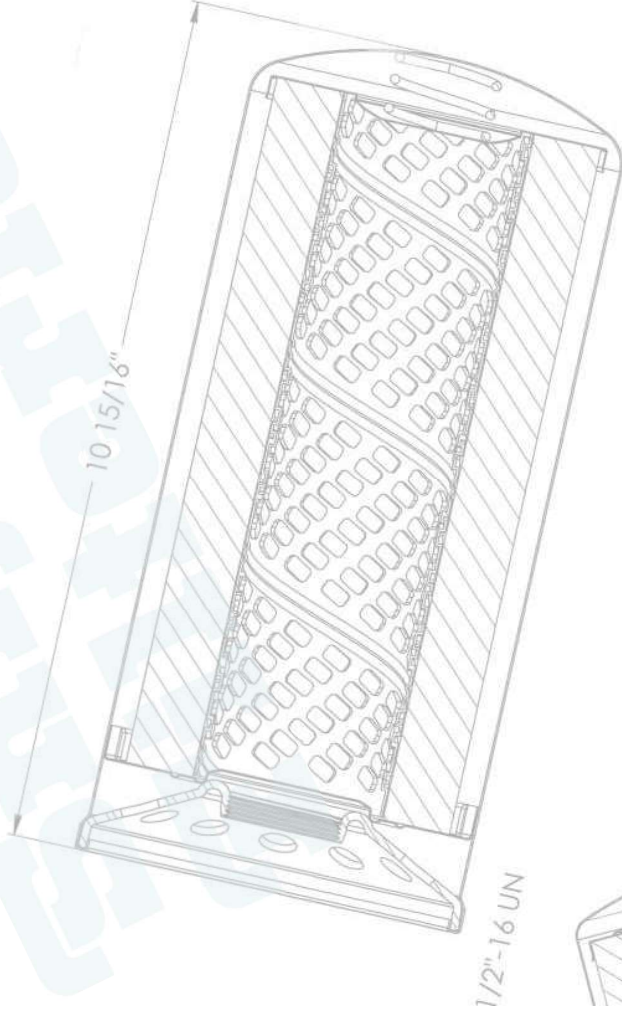


90569 =

**Snijder
Filtertechniek bv**



PETROLEUM CATALOG



A REGISTERED ISO 9001:2015 COMPANY

CONTENTS

OUR MEDIAS	02
SELECTING A MEDIA	04
SELECTING A SERIES	06
READING THE LABEL	07
SPIN ON FILTERS	08
/// 200 SERIES	10
/// 250 SERIES	11
/// 260 SERIES	12
/// 300 SERIES	14
/// 400 SERIES	15
/// 450 SERIES	16
/// 475 SERIES	17
/// 800 SERIES	18
/// 800SL SERIES	19
ADAPTERS	20
CENTURIONS	22
VIKINGS	24
FUEL CLEANLINESS & MAINTENANCE	26
REPLACEMENT PARTS	28

201 N. CHAMPAIGN ST. BEMENT, IL 61813
217.693.6555
CUSTOMER SERVICE: 844.447.7663
FAX: 217.693.6673
INFO@CIM-TEK.COM
WWW.CIM-TEK.COM

A REGISTERED ISO 9001:2015 COMPANY

We provide our customers with the **BEST PROTECTION** against fluid contamination **AROUND THE WORLD.**

Cim-Tek Filtration has been developing superior products to protect your fuel and hydraulic fluids for 60 years. It's what we do. While others spread their development efforts across a wide range of targets, we remain dedicated to developing products that promote cleaner fluids.

As the industry and performance requirements evolve, so do our filter designs and materials. We focus on providing products that stand up to the high cleanliness standards of today **and** tomorrow.

We also remain dedicated to exceptional service. We've been the leading name in reliability since we launched our very first product over 60 years ago. Our phone number connects you straight to our office in Illinois. With expansive distribution, a broad range of products, quick delivery times, and exceptional quality, we are ready to help you whether you are servicing machinery or manufacturing it.

WE HAVE **OVER 60 YEARS OF EXPERTISE IN CLEAN FUEL**

WE'RE STILL **FAMILY OWNED AND OPERATED**

WE PROVIDE **SERVICE YOU CAN COUNT ON**

WE'VE BEEN A **MAJOR INNOVATOR SINCE DAY 1**

WE FOCUS ON **ANTICIPATING WHAT'S NEXT**

WE BUILD **PRODUCTS UNMATCHED IN
VALUE,
RELIABILITY,
PERFORMANCE,
AND TECHNOLOGY.**

Our Medias

CELLULOSE

FOR GASOLINE AND ETHANOL BLENDS UP TO 25%, DIESEL, ULSD

- Removes particulate
- Contains natural fibers that vary in size and shape

RESIN BOUND PLANT-BASED FIBER MATERIAL

HYDROSORB®

FOR GASOLINE, DIESEL, ULSD

- Removes particulate
- Detects free or emulsified water
- Reduced flow notifies the operator that water is present and action is required

PROPRIETARY MICROGLASS-CELLULOSE HYBRID PLEAT PACK

WATER DETECTION MATERIAL BETWEEN MICROGLASS-CELLULOSE LAMINATE RESTRICTS FLOW WHEN WATER IS DETECTED

WIRE MESH

FOR GASOLINE AND ETHANOL BLENDS UP TO 25%, DIESEL/ULSD AND BIODIESEL BLENDS UP TO 20%, 100% BIODIESEL

- Removes larger particulate contaminants
- Does not restrict flow as much as other medias

STAINLESS STEEL WIRE MESH



ULTIMATE DEFENSE

When you see the Ultimate Defense label or the shield, you're seeing the best media we offer. Filters with this label all contain at least one layer of Microglass media. Microglass consists of synthetic fibers that are smaller in size and more uniform in diameter than the natural fibers of Cellulose media. This generally means increased retention, lower clean filter differential pressure, and less resistance to fluid flow.

MICROGLASS



FOR GASOLINE AND ETHANOL BLENDS UP TO 25%, DIESEL/ULSD AND BIODIESEL BLENDS UP TO 20%, 100% BIODIESEL

- Removes particulate
- Contains synthetic fibers that are smaller in size and more uniform in diameter than the natural fibers of Cellulose

SPUN BOND SYNTHETIC MATERIAL FOR SUPPORT AND FILTER MEDIA PROTECTION

COATED STEEL WIRE FOR STRENGTH AND RIGIDITY

WET LAID SYNTHETIC FIBERS

HYDROGLASS



FOR GASOLINE, DIESEL/ULSD AND BIODIESEL BLENDS UP TO 20%, 100% BIODIESEL

- Removes particulate
- Detects free or emulsified water
- Reduced flow notifies the operator that water is present and action is required

ADVANCED WATER DETECTION MATERIAL BETWEEN TWO

MICROGLASS LAYERS RESTRICTS FLOW WHEN WATER IS DETECTED

MULTI-FUEL®



FOR GASOLINE AND ETHANOL BLENDS UP TO 25%

- Removes particulate
- Detects free or emulsified water OR phase separation
- Reduced flow notifies the operator that water is present and action is required

PROPRIETARY MICROGLASS-CELLULOSE HYBRID OUTER PLEAT PACK

ADVANCED WATER AND PHASE SEPARATION DETECTION MATERIAL BETWEEN TWO MICROGLASS LAYERS RESTRICTS FLOW WHEN WATER IS DETECTED

Selecting a Media

To select your media, you need to know:

THE TYPE OF FUEL YOU ARE FILTERING

Our medias are compatible with a variety of fuels, but in order to know which specific media you will need, you must first identify the type of fuel being filtered.

WHETHER YOU ARE CONCERNED ABOUT WATER CONTAMINATION

Some of our medias filter particulate only, including contaminants such as dirt, rust, and microbial growth (non-liquid contamination). As fuel containing particulate passes through the filter, the media captures the particulate to a degree that is dictated by a variety of factors (size of contaminate, flow rate, flow conditions, and filter media).

Other medias address particulate contamination **and** water contamination (the presence of excess water in the fuel). When fuel containing excess water passes through the filter, the media detects this condition and notifies the operator by restricting flow and increasing differential pressure.*

THE LEVEL OF PERFORMANCE YOU WANT FROM YOUR FUEL FILTER

We offer two standard medias (Cellulose and Hydrosorb) and three Ultimate Defense medias (Microglass, Hydroglass, and Multi-Fuel). Our Ultimate Defense medias generally provide increased retention, lower clean filter differential pressure, and less resistance to fluid flow compared to our standard medias. If these factors are important to you, choose our Ultimate Defense medias.

Once you've determined these factors, refer to the chart on the next page to select your media.

DETECTING EXCESS WATER IN FUEL

While restricted flow is the most obvious and immediate indication that water is present, signs of water contamination in our filters can manifest in any of the following ways:

- Shorter than typical service intervals
- Rapid decrease in system flow rate
- Rapid increase of differential pressure

Be aware that particulate contamination can also create these conditions. If any of these conditions occur or persist, this may indicate a potentially larger scale issue. It's important to pay attention to changes that occur in your fueling system and to act when concerned about the presence of water or other contaminants.

*This applies to normal fuel dispensing equipment. For special applications, consult your sales representative for guidance.

	REMOVE PARTICULATE ONLY	REMOVE PARTICULATE & DETECT WATER
GASOLINE (without ethanol)	<p>CELLULOSE</p> <p>ULTIMATE DEFENSE</p> <p>MICROGLASS</p>	<p>HYDROSORB</p> <p>ULTIMATE DEFENSE</p> <p>HYDROGLASS</p> <p>ULTIMATE DEFENSE</p> <p>MULTI-FUEL</p>
GASOLINE AND ETHANOL BLENDS**	<p>UP TO 25% ETHANOL:</p> <p>CELLULOSE</p> <p>ULTIMATE DEFENSE</p> <p>MICROGLASS</p> <hr/> <p>25-85% ETHANOL:</p> <p>ULTIMATE DEFENSE</p> <p>MICROGLASS</p> <p>WITH "HA" IN MODEL #</p>	<p>UP TO 25% ETHANOL:</p> <p>ULTIMATE DEFENSE</p> <p>MULTI-FUEL</p>
DIESEL/ULSD (without biodiesel)	<p>CELLULOSE</p> <p>ULTIMATE DEFENSE</p> <p>MICROGLASS</p>	<p>HYDROSORB</p> <p>ULTIMATE DEFENSE</p> <p>HYDROGLASS</p>
DIESEL/ULSD AND BIODIESEL BLENDS**	<p>ULTIMATE DEFENSE</p> <p>MICROGLASS</p>	<p>ULTIMATE DEFENSE</p> <p>HYDROGLASS</p>
100% BIODIESEL**	<p>ULTIMATE DEFENSE</p> <p>MICROGLASS</p>	<p>ULTIMATE DEFENSE</p> <p>HYDROGLASS</p>

**For applications that require Canadian UL approval specifically, consult your sales representative.
 ***HA filters feature internal metal components that are coated for increased resistance to corrosion.

GET MORE OUT OF YOUR FUEL

Selecting a Series

Cim-Tek Filtration offers filters to accommodate a wide range of applications and flow rates. To determine which filter series will work best in your application, you first need to know the following:

- **THE FLOW RATE YOU THINK YOU HAVE OR WILL HAVE ON NEW INSTALLATIONS**
- **THE MAXIMUM PRESSURE CONDITIONS OF YOUR SYSTEM**

If you are replacing a spin on filter on an existing installation, you may also need to know the thread size. For additional assistance, please consult your sales representative.

Once you have this information, consult the table below:

SERIES/MODEL	MAX FLOW	MAX PSI
200, 250, 260, 300, 400, 450, 475	25 GPM	50
800, 800SL	40 GPM/ 80 GPM ON DUAL HEAD ADAPTER	50
CENTURIONS	30, 60, OR 90 GPM (DEPENDING ON HEAD)	50
VIKINGS	120, 150, 300, OR 500 GPM (DEPENDING ON MODEL)	150

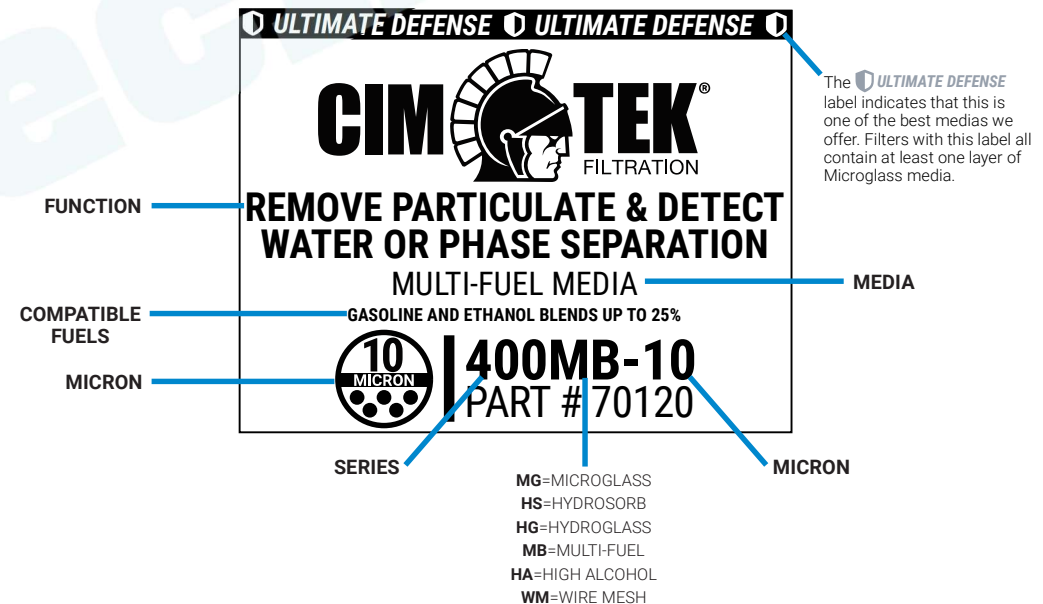
Reading the Label

Our labels help you quickly identify everything you need to know about our filters. Use the guide below to understand every element of the filter label.

The color tells you what the filter does



The label gives you all the details



UNDERSTANDING FLOW RATE

If flow rate is critical in your application and you are anticipating flow at or near the maximum flow rate for a given filter model/series, we recommend moving up in size.

Also, if you anticipate low temperatures, it may be best to go up in size, as cold temperatures can lead to reduced flow rates in some fuels due to changes in viscosity. The maximum flow rates given are under good conditions and moderate temperatures.

It's important to note that the filter is not the only thing in the system affecting flow. Even with a 35 GPM pump and an appropriately sized filter, you are not guaranteed to get 35 GPM out of the nozzle at all times. There are a lot of variables that can restrict flow other than the filter, including:

- Excessive or undersized plumbing
- Cold temperatures increasing the fluid viscosity
- Filter nearing the end of its useful life, meaning that it is clogging with contamination (water, particulate, etc.)

Spin On Filters

 **MADE IN USA**

OPTIONS FOR GASOLINE, ETHANOL BLENDS, DIESEL, ULSD, AND BIODIESEL*

1, 2, 5, 10, 30, AND 144 MICRON OPTIONS

50 PSI (3.4 BAR) MAX WORKING PRESSURE

NOT FOR USE WITH AVIATION APPLICATIONS

*SEE PAGES 2-5 FOR DETAILS ON FUEL COMPATIBILITY

200SERIES

3.75" W x 7.63" L

1³/₈"-12 [OR] 1"-12 THREAD
DRAIN FOR IMPROVED SERVICING



250SERIES

3.75" W x 7.13" L

1³/₈"-12 [OR] 1"-12 THREAD



260SERIES

3.75" W x 8.75" L

1³/₈"-12 [OR] 1"-12 THREAD



300SERIES

3.75" W x 5.38" L

1"-12 THREAD



400SERIES

3.75" W x 5.31" L

1¹/₂"-16 THREAD



450SERIES

3.75" W x 7.88" L

1¹/₂"-16 THREAD



475SERIES

3.75" W x 10.56" L

1¹/₂"-16 THREAD



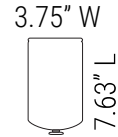
800SERIES

5.06" W x 10.94" L [OR]
5.06" W x 6.94" L (for 800SL)

1¹/₂"-16 THREAD



200 SERIES /// 1"-12 THREAD



UP TO 25 GPM (94.6 LPM) MAX FLOW

MADE IN USA

DRAIN FOR IMPROVED SERVICING

REMOVE PARTICULATE

***NOT UL RECOGNIZED**

200-10

PART # 70002

CELLULOSE



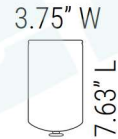
200-30

PART # 70046

CELLULOSE



200A SERIES /// 1³/₈"-12 THREAD



UP TO 25 GPM (94.6 LPM) MAX FLOW

MADE IN USA

DRAIN FOR IMPROVED SERVICING

REMOVE PARTICULATE

***NOT UL RECOGNIZED**

200A-10

PART # 70004

CELLULOSE



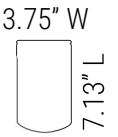
200A-30

PART # 70045

CELLULOSE



250 SERIES /// 1"-12 THREAD



UP TO 25 GPM (94.6 LPM) MAX FLOW

MADE IN USA

REMOVE PARTICULATE



250-02

PART # 70819

CELLULOSE



250-10

PART # 70003

CELLULOSE



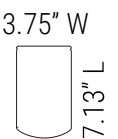
250-30

PART # 70088

CELLULOSE



250A SERIES /// 1³/₈"-12 THREAD



UP TO 25 GPM (94.6 LPM) MAX FLOW

MADE IN USA

REMOVE PARTICULATE



250A-02

PART # 70821

CELLULOSE



250A-10

PART # 70005

CELLULOSE



250A-30

PART # 70089

CELLULOSE



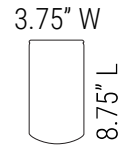
SEE PAGES 2-5 FOR DETAILS ON FUEL COMPATIBILITY // SEE PAGE 20 FOR ADAPTERS
NOT FOR USE WITH AVIATION APPLICATIONS

CIM-TEK.COM

SEE PAGES 2-5 FOR DETAILS ON FUEL COMPATIBILITY // SEE PAGE 20 FOR ADAPTERS
NOT FOR USE WITH AVIATION APPLICATIONS

GET MORE OUT OF YOUR FUEL

260 SERIES /// 1"-12 THREAD



UP TO 25 GPM (94.6 LPM) MAX FLOW



REMOVE PARTICULATE



260-10

PART # 70094

CELLULOSE



260-30

PART # 70095

CELLULOSE



260MG-02

PART # 70230

MICROGLASS



260MG-10

PART # 70234

MICROGLASS



REMOVE PARTICULATE & DETECT WATER



DO NOT DETECT PHASE SEPARATION

260HS-10

PART # 70062

HYDROSORB



260HS-30

PART # 70067

HYDROSORB



260HG-02

PART # 70232

HYDROGLASS



260HG-10

PART # 70236

HYDROGLASS



REMOVE PARTICULATE & DETECT WATER OR PHASE SEPARATION



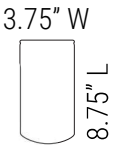
260MB-10

PART # 70117

MULTI-FUEL



260A SERIES /// 1 3/8"-12 THREAD



UP TO 25 GPM (94.6 LPM) MAX FLOW



REMOVE PARTICULATE



260AMG-02

PART # 70221

MICROGLASS



260AMG-10

PART # 70225

MICROGLASS



REMOVE PARTICULATE & DETECT WATER



DO NOT DETECT PHASE SEPARATION

260AHS-10

PART # 70061

HYDROSORB



260AHS-30

PART # 70066

HYDROSORB



260AHG-02

PART # 70223

HYDROGLASS



260AHG-10

PART # 70227

HYDROGLASS



SEE PAGES 2-5 FOR DETAILS ON FUEL COMPATIBILITY // SEE PAGE 20 FOR ADAPTERS
NOT FOR USE WITH AVIATION APPLICATIONS

CITIM-TEK.COM

SEE PAGES 2-5 FOR DETAILS ON FUEL COMPATIBILITY // SEE PAGE 20 FOR ADAPTERS
NOT FOR USE WITH AVIATION APPLICATIONS

GET MORE OUT OF YOUR FUEL

300 SERIES /// 1"-12 THREAD

3.75" W
5.38" L

UP TO 25 GPM (94.6 LPM) MAX FLOW

MADE IN USA

REMOVE PARTICULATE



<p>300-02 PART # 70806 CELLULOSE </p>	<p>300-10 PART # 70010 CELLULOSE </p>	<p>300-30 PART # 70012 CELLULOSE </p>	<p>300MG-02 PART # 70057 MICROGLASS </p>
<p>300MG-10 PART # 70058 MICROGLASS </p>	<p>300HA-01 PART # 70025 MICROGLASS *VITON® GASKETS</p>	<p>300HA-05 PART # 70993 MICROGLASS </p>	<p>300WM-144 PART # 70077 WIRE MESH </p>

REMOVE PARTICULATE & DETECT WATER



DO NOT DETECT PHASE SEPARATION

<p>300HS-10 PART # 70059 HYDROSORB </p>	<p>300HS-30 PART # 70064 HYDROSORB </p>	<p>300HG-10 PART # 70235 HYDROGLASS </p>
---	---	---

REMOVE PARTICULATE & DETECT WATER OR PHASE SEPARATION



<p>300MB-10 PART # 70122 MULTI-FUEL </p>	<p>300MB-30 PART # 70018 MULTI-FUEL </p>
---	---

SEE PAGES 2-5 FOR DETAILS ON FUEL COMPATIBILITY // SEE PAGE 20 FOR ADAPTERS
NOT FOR USE WITH AVIATION APPLICATIONS

CUMMINS.COM

400 SERIES /// 1 1/2"-16 THREAD

3.75" W
5.31" L

UP TO 25 GPM (94.6 LPM) MAX FLOW

MADE IN USA

REMOVE PARTICULATE



<p>400-02 PART # 70808 CELLULOSE </p>	<p>400-10 PART # 70015 CELLULOSE </p>	<p>400-30 PART # 70016 CELLULOSE </p>	<p>400MG-02 PART # 70105 MICROGLASS </p>
<p>400MG-10 PART # 70104 MICROGLASS </p>	<p>400HA-01 PART # 70039 MICROGLASS *VITON® GASKETS</p>	<p>400HA-05 PART # 70991 MICROGLASS </p>	<p>400WM-144 PART # 70081 WIRE MESH </p>

REMOVE PARTICULATE & DETECT WATER



DO NOT DETECT PHASE SEPARATION

<p>400HS-10 PART # 70060 HYDROSORB </p>	<p>400HS-30 PART # 70065 HYDROSORB </p>	<p>400HG-10 PART # 70008 HYDROGLASS </p>
---	---	---

REMOVE PARTICULATE & DETECT WATER OR PHASE SEPARATION

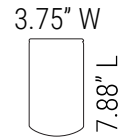


<p>400MB-10 PART # 70120 MULTI-FUEL </p>	<p>400MB-30 PART # 70106 MULTI-FUEL </p>
---	---

SEE PAGES 2-5 FOR DETAILS ON FUEL COMPATIBILITY // SEE PAGE 21 FOR ADAPTERS
NOT FOR USE WITH AVIATION APPLICATIONS

GET MORE OUT OF YOUR FUEL

450 SERIES /// 1 1/2"-16 THREAD



UP TO 25 GPM (94.6 LPM) MAX FLOW



REMOVE PARTICULATE



450-10

PART # 70034

CELLULOSE



450-30

PART # 70027

CELLULOSE



450MG-10

PART # 70032

MICROGLASS



REMOVE PARTICULATE & DETECT WATER



DO NOT DETECT PHASE SEPARATION

450HS-10

PART # 70075

HYDROSORB



450HS-30

PART # 70076

HYDROSORB



REMOVE PARTICULATE & DETECT WATER OR PHASE SEPARATION



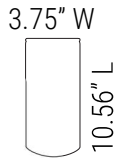
450MB-10

PART # 70023

MULTI-FUEL



475 SERIES /// 1 1/2"-16 THREAD



UP TO 25 GPM (94.6 LPM) MAX FLOW



REMOVE PARTICULATE



475-10

PART # 70097

CELLULOSE



475-30

PART # 70092

CELLULOSE



REMOVE PARTICULATE & DETECT WATER



DO NOT DETECT PHASE SEPARATION

475HS-10

PART # 70098

HYDROSORB



475HS-30

PART # 70043

HYDROSORB



REMOVE PARTICULATE & DETECT WATER OR PHASE SEPARATION



475MB-10

PART # 70111

MULTI-FUEL



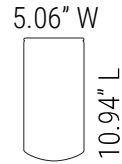
SEE PAGES 2-5 FOR DETAILS ON FUEL COMPATIBILITY // SEE PAGE 21 FOR ADAPTERS
NOT FOR USE WITH AVIATION APPLICATIONS

CIM-TEK.COM

SEE PAGES 2-5 FOR DETAILS ON FUEL COMPATIBILITY // SEE PAGE 21 FOR ADAPTERS
NOT FOR USE WITH AVIATION APPLICATIONS

GET MORE OUT OF YOUR FUEL

800 SERIES /// 1 1/2"-16 THREAD



UP TO 40 GPM (151 LPM) MAX FLOW

MADE IN USA

REMOVE PARTICULATE



- | | | | |
|--|--|--|--|
| <p>800-02
PART # 70814
CELLULOSE
</p> | <p>800-10
PART # 70019
CELLULOSE
</p> | <p>800-30
PART # 70020
CELLULOSE
</p> | <p>800MG-02
PART # 70036
MICROGLASS
</p> |
| <p>800MG-10
PART # 70028
MICROGLASS
</p> | <p>800MG-30
PART # 70074
MICROGLASS
</p> | <p>800HA-01
PART # 70041
MICROGLASS

*VITON® GASKETS</p> | <p>800WM-144
PART # 70080
WIRE MESH
</p> |

REMOVE PARTICULATE & DETECT WATER



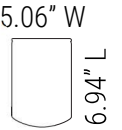
DO NOT DETECT PHASE SEPARATION

- | | | | |
|---|---|--|--|
| <p>800HS-10
PART # 70063
HYDROSORB
</p> | <p>800HS-30
PART # 70068
HYDROSORB
</p> | <p>800HG-02
PART # 70037
HYDROGLASS
</p> | <p>800HG-10
PART # 70024
HYDROGLASS
</p> |
|---|---|--|--|

SEE PAGES 2-5 FOR DETAILS ON FUEL COMPATIBILITY // SEE PAGE 21 FOR ADAPTERS
NOT FOR USE WITH AVIATION APPLICATIONS

CIM-TEK.COM

800SL SERIES /// 1 1/2"-16 THREAD



UP TO 40 GPM (151 LPM) MAX FLOW

MADE IN USA

REMOVE PARTICULATE



- 800SL-30**
PART # 70053
CELLULOSE

SEE PAGES 2-5 FOR DETAILS ON FUEL COMPATIBILITY // SEE PAGE 21 FOR ADAPTERS
NOT FOR USE WITH AVIATION APPLICATIONS

GET MORE OUT OF YOUR FUEL

Adapters

NOT FOR USE WITH AVIATION APPLICATIONS

1"-12 THREAD

FOR USE WITH 200, 250, 260, AND 300 SERIES

50002
CAST IRON
1" NPT INLET/OUTLET

50003
CAST IRON
3/4" NPT INLET/OUTLET

50181
ALUMINUM
3/4" NPT INLET/OUTLET

50006
ALUMINUM
1 1/2" NPT INLET/OUTLET
DUAL ADAPTER

FOR USE WITH 300HA

50016N
NICKEL-PLATED CAST IRON
1" NPT INLET/OUTLET

50017N
NICKEL-PLATED CAST IRON
3/4" NPT INLET/OUTLET

1 3/8"-12 THREAD

FOR USE WITH 200A, 250A, AND 260A SERIES

50004
CAST IRON
1" NPT INLET/OUTLET

1 1/2"-16 THREAD

FOR USE WITH 400, 450, AND 475 SERIES



50032
ALUMINUM
1" NPT INLET/OUTLET

FOR USE WITH 400HA



50032N
NICKEL-PLATED ALUMINUM
1" NPT INLET/OUTLET

FOR USE WITH 800 SERIES



50026
ALUMINUM
1" NPT INLET/OUTLET
GAUGE PORTS

50109
ALUMINUM
1" NPT INLET/OUTLET

50027
ALUMINUM
1 1/2" NPT INLET/OUTLET
GAUGE PORTS

50163
ALUMINUM
1 1/2" NPT INLET/OUTLET

50011
ALUMINUM
2" NPT INLET/OUTLET
DUAL ADAPTER

50028
ALUMINUM
2" NPT INLET/OUTLET
DUAL ADAPTER W/GAUGE PORTS

FOR USE WITH 800HA

50163N
NICKEL-PLATED ALUMINUM
1 1/2" NPT INLET/OUTLET



Centurions

2, 10, and 30 micron options

50 PSI (3.4 bar) max working pressure

Drain for improved servicing

Parallel flow options available

Eco-friendly reusable housing

See pages 2-5 for details on fuel compatibility



CENTURION SINGLE

PART # 40001

UP TO **30 GPM**
1" NPT IN/OUT
1 ELEMENT



CENTURION DOUBLE

PART # 40013

UP TO **60 GPM**
1 1/2" NPT IN/OUT
2 ELEMENTS



CENTURION TRIPLE

PART # 40020

UP TO **90 GPM**
2" NPT IN/OUT
3 ELEMENTS

CENTURION ELEMENTS

E02

PART # 30065

CELLULOSE



E10

PART # 30002

CELLULOSE



E30

PART # 30004

CELLULOSE



E-10M

PART # 30195

MICROGLASS



EHS-10

PART # 30033

HYDROSORB



EHS-30

PART # 30036

HYDROSORB



NOT FOR USE WITH AVIATION APPLICATIONS

Vikings

2, 3, 5, 10, 30, And 144 micron options

150 PSI max working pressure

Epoxy coating inside and out

Carbon steel housing

Easy access with swing lid

See pages 2-5 for details on fuel compatibility



VIKING ELEMENTS

<p>E-1300-02 PART # 30066 CELLULOSE </p>	<p>E-1300-10 PART # 30008 CELLULOSE </p>	<p>E-1300-30 PART # 30009 CELLULOSE </p>
<p>E-1300MG-03 PART # 30204 MICROGLASS  </p>	<p>E-1300MG-05 PART # 30203 MICROGLASS  </p>	<p>E-1300MG-10 PART # 30202 MICROGLASS  </p>
<p>E-1300HS-10 PART # 30034 HYDROSORB </p>	<p>E-1300HS-30 PART # 30037 HYDROSORB </p>	<p>E-1300WM-144 PART # 30210 WIRE MESH </p>

VIKING 1
PART # 40186
UP TO 120 GPM
2" NPT IN/OUT
12" DIAMETER
32.5" LENGTH
1 ELEMENT

VIKING 1F
PART # 40187
UP TO 120 GPM
FLANGED IN/OUT
2" RFSO FLANGE
12" DIAMETER
32.5" LENGTH
1 ELEMENT

VIKING 2
PART # 40188
UP TO 150 GPM
2" NPT IN/OUT
12" DIAMETER
50.5" LENGTH
2 ELEMENTS

VIKING 2F
PART # 40189
UP TO 150 GPM
FLANGED IN/OUT
2" RFSO FLANGE
12" DIAMETER
50.5" LENGTH
2 ELEMENTS

VIKING 3F
PART # 40190
UP TO 300 GPM
FLANGED IN/OUT
3" RFSO FLANGE
24" DIAMETER
59.25" LENGTH
4 ELEMENTS

VIKING 4F
PART # 40191
UP TO 500 GPM
FLANGED IN/OUT
4" RFSO FLANGE
28" DIAMETER
78.5" LENGTH
8 ELEMENTS

PRESSURE GAUGES

EASILY MONITOR FILTER LIFE WITH OUR DIFFERENTIAL PRESSURE GAUGES

PART # 90601
FOR VIKING 1, 1F, 2, 2F, 3F

PART # 90602
FOR VIKING 4F

PART # 90603
FOR VIKING 1, 1F, 2, 2F, 3F, 4F

NOT FOR USE WITH AVIATION APPLICATIONS

CIM-TEK.COM

NOT FOR USE WITH AVIATION APPLICATIONS

GET MORE OUT OF YOUR FUEL

Fuel Cleanliness & Maintenance

TANK SAMPLER KIT

Portable hand-operated vacuum suction pump designed to determine fuel conditions present in fuel storage tanks

For use in above and underground fuel storage tanks as well as fuel oil tanks

Allows up to 20' of suction hose

Equipped with 3 shatter-resistant sample containers

PART # 60035



HYDROBURN PSR

Fuel additive designed to reverse phase separation in ethanol-blended gasoline

For use in above and underground fuel storage tanks

Helps prevent having to scrap out-of-spec fuels

Saves you money, time, and hassle

PART # 60069



TANK DRYER

Removes water from gasoline, diesel, biodiesel, and fuel oil

Works in as little as 24 hours

PART # 60038



PRE-VENT

Fill cap with a pressure and vacuum release

Reduces evaporation in fuel storage tanks

Helps maintain the quality of stored fuel

2" NPT

PART # 60001
CAST IRON BASE

PART # 60002
CAST IRON BASE
WITH ANTI-THEFT
SECURITY ARM

PART # 60003
REPLACEMENT CAP



DIESEL NOZZLE SHIELD

Covers approx. 4.5" of nozzle for maximum protection

Tethered for convenience and retention to nozzle

Ribbed on the inside for optimal fit and simple removal

Easy to clean and maintain

Durable to withstand the seasons

Fits diesel nozzle sizes 7/8" through 1-3/16" O.D.

PART # 60074



WARNING: This product can expose you to chemicals including Diisononyl Phthalate, which is known to the State of California to cause cancer. For more information, go to www.P65Warnings.ca.gov.

FILTER CUP

Grips the filter and catches fuel

Allows for faster change-outs and less dispenser downtime

Helps prevent fuel spills

Compatible with all brands and styles of dispenser fuel filters

PART # 60070
FOR 4" DIAMETER FILTERS

PART # 60072
FOR 5" DIAMETER FILTERS



Replacement Parts

	PART #	DESCRIPTION	SOLD AS	LEAD TIME (DAYS)
CENTURION PARTS	90002	CENTURION 1, 3, 4 CANISTER	EACH	7
	90003	CENTURION SERIES ACORN NUT	EACH	7
	90004	CENTURION 1 REPLACEMENT HEAD	EACH	7
	90011	CENTURION DRAINCOCK	3 PACK	7
	90014	CENTURION 3 REPLACEMENT HEAD	EACH	7
	90015	CENTURION 4 REPLACEMENT HEAD	EACH	7
	90094	CENTURION GASKET AND WASHER KIT	6 PACK	7
CENTURION ELEMENTS	30065	2 MICRON CELLULOSE FILTER ELEMENT	EACH	3
	30002	10 MICRON CELLULOSE FILTER ELEMENT	EACH	3
	30004	30 MICRON CELLULOSE FILTER ELEMENT	EACH	3
	30195	10 MICRON MICROGLASS FILTER ELEMENT	EACH	3
	30033	10 MICRON HYDROSORB FILTER ELEMENT	EACH	3
	30036	30 MICRON HYDROSORB FILTER ELEMENT	EACH	3
	DEF PARTS	91002	DEF SS HOUSING VITON® GASKET (FOR 41010)	EACH
91008		INSTALL TOOL FOR DEF (FOR 41010)	EACH	7
91010		DEF SS CANISTER ONLY (FOR 41010)	EACH	7
91011		DEF BAGGED COMPONENTS (FOR 41060 & 41070)	EACH	7
91235		DEF SS RETAINER RING ONLY (FOR 41060 & 41070)	EACH	7
90057		LIP GASKET/RADIAL SEAL (FOR 41060 & 41070)	EACH	7
90058		REPLACEMENT CANISTER (FOR 41060 & 41070)	EACH	7
DEF ELEMENTS		31001	1 MICRON DEF ELEMENT (FOR 41000, 41010, 41012, & 41014)	4 PACK
	31005	5 MICRON DEF ELEMENT (FOR 41000, 41010, 41012, & 41014)	4 PACK	3
	31010	10 MICRON DEF ELEMENT (FOR 41000, 41010, 41012, & 41014)	4 PACK	3
	31011	1 MICRON DEF ELEMENT (FOR 41060 AND 41070)	4 PACK	3
	31015	5 MICRON DEF ELEMENT (FOR 41060 AND 41070)	4 PACK	3
	TANK SAMPLER	90218	PLASTIC COATED JAR (LID NOT INCLUDED)	3 PACK
90220		JAR LID (JAR NOT INCLUDED)	3 PACK	7
90222		TANK SAMPLER 14' REPLACEMENT HOSE	EACH	7
90223		PUMP FOR TANK SAMPLING KIT	EACH	7
90224		ORIFICE WEIGHT REPLACEMENT TANK SAMPLER	EACH	7
90030		TANK SAMPLER KIT REPLACEMENT CASE	EACH	7
CIM CART		90195	SNAKE HOSE ASSEMBLY	EACH
	90198	CIM-CART 4 ARO DIAPHRAGM PUMP	EACH	7
	90201	STAND PIPE ASSEMBLY CIM-CART 4	EACH	28
	90235	LOWER STAND PIPE SECTION CIM-CART 4	EACH	28

	PART #	DESCRIPTION	SOLD AS	LEAD TIME (DAYS)
VIKING PARTS	90022	GENERAL 4, 5 VICTAULIC BUNA-N GASKET	EACH	21
	90243	VIKING 1 CLOSURE .50FW WASHER	EACH	14
	90244	VIKING 1 CLOSURE NUT & BOLT	EACH	14
	90354	106031 BUNA-N LID GASKET GENERAL 4	EACH	21
	90517	TITAN 1 BUNA-N LID GASKET REPLACEMENT	EACH	14
	90518	TITAN 1 VITON® LID GASKET REPLACEMENT	EACH	14
	90525	TITAN 3 & 4 LID O-RING/BUNA-N	EACH	28
	90526	TITAN 3 & 4 LID O-RING/VITON®	EACH	28
	90560	STD. VIKING 1 & 2 MAIN SEAL BUNA-N	EACH	14
	90561	STD. VIKING 3 & 4 MAIN SEAL BUNA-N (SERIAL# 3528522 AND LOWER)	EACH	14
	90562	VIKING B2 & B3 SEAL MAIN VITON®	EACH	14
	90563	VIKING B2 & B3 INTERNAL BASKET SEAL VITON®	EACH	14
	90564	VIKING B1 MAIN SEAL VITON®	EACH	14
	90569	VIKING 1, 2, 3, 4 ELEMENT HOLD DOWN	EACH	14
	90570	VIKING 1, 2, 3, 4 ELEMENT KNOB	EACH	14
	90571	VIKING 1, 2, & B1, B2 & B3 EYE NUT	EACH	14
	90572	VIKING 1, 2, & B1, B2 & B3 EYE BOLT	EACH	14
	90573	VIKING 3 & 4 CLOSURE 7/8" EYE NUT	EACH	14
	90574	VIKING 3 & 4 CLOSURE 7/8" EYE BOLT	EACH	14
	90626	VIKING B1 MAIN SEAL BUNA-N	EACH	21
	90627	VIKING B2 & B3 MAIN SEAL BUNA-N	EACH	21
	90632	GENERAL 4-2000 SERIES GASKET	EACH	21
	90703	STD VIKING 3 & 4 MAIN SEAL BUNA-N (SERIAL# 3528523 AND HIGHER OR NO BUILD CODE)	EACH	14
	90704	OPT. VIKING 3 & 4 MAIN SEAL VITON®	EACH	14
	90599	OPT. VIKING 1 & 2 MAIN SEAL VITON®	EACH	14
	90600	OPT. VIKING 3 & 4 MAIN SEAL VITON® (SERIAL# 3528522 AND LOWER)	EACH	14
	90601	VIKING 1, 2, 3 DIFFERENTIAL PRESSURE GASKET KIT	EACH	14
	90602	VIKING 4 DIFFERENTIAL PRESSURE GASKET KIT	EACH	14
	90603	PRESSURE GASKET KIT VIKING 1-4 & B1 B2 B3	EACH	14
	90604	VACUUM GAUGE - VIKING BAG HOUSINGS	EACH	14

Replacement Parts Notes

	PART #	DESCRIPTION	SOLD AS	LEAD TIME (DAYS)
VIKING ELEMENTS	30066	2 MICRON CELLULOSE	EACH	3
	30008	10 MICRON CELLULOSE	EACH	3
	30009	30 MICRON CELLULOSE	EACH	3
	30204	3 MICRON MICROGLASS	EACH	3
	30203	5 MICRON MICROGLASS	EACH	3
	30202	10 MICRON MICROGLASS	EACH	3
	30034	10 MICRON HYDROSORB	EACH	3
	30037	30 MICRON HYDROSORB	EACH	3
	30210	144 MICRON WIRE MESH STRAINER	EACH (60 PC. MIN.)	42
VIKING BAG FILTERS	90575	VIKING B2 5 MICRON POLYESTER FELT	10	21
	90576	VIKING B2 10 MICRON POLYESTER FELT	10	21
	90577	VIKING B2 25 MICRON POLYESTER FELT	10	21
	90578	VIKING B2 75 MICRON NYLON MESH	10	21
	90579	VIKING B2 150 MICRON NYLON MESH	10	21
	90580	VIKING B2 300 MICRON NYLON MESH	10	21
	90583	VIKING B3 5 MICRON POLYESTER FELT	10	21
	90584	VIKING B3 10 MICRON POLYESTER FELT	10	21
	90585	VIKING B3 25 MICRON POLYESTER FELT	10	21
	90586	VIKING B3 75 MICRON NYLON MESH	10	21
	90587	VIKING B3 150 MICRON NYLON MESH	10	21
	90588	VIKING B3 300 MICRON NYLON MESH	10	21
	90591	VIKING B1 5 MICRON POLYESTER FELT	10	21
	90592	VIKING B1 10 MICRON POLYESTER FELT	10	21
	90593	VIKING B1 25 MICRON POLYESTER FELT	10	21
	90594	VIKING B1 75 MICRON NYLON MESH	10	21
	90595	VIKING B1 150 MICRON NYLON MESH	10	21
90596	VIKING B1 300 MICRON NYLON MESH	10	21	
90597	VIKING B2 INTERIOR BAG BASKET	10	21	
SPIN ON GASKETS	90025	BUNA-N PRE-LUBED GASKET	EACH	3
	90036	BUNA-N PRE-LUBED GASKET	EACH	3
	90041	BUNA-N PRE-LUBED GASKET	EACH	3
	90037	VITON® GASKET USED ON 300HA	EACH	3
	90115	VITON® GASKET USED ON 400HA	EACH	3
	90039	VITON® GASKET USED ON 800HA	EACH	3

Index

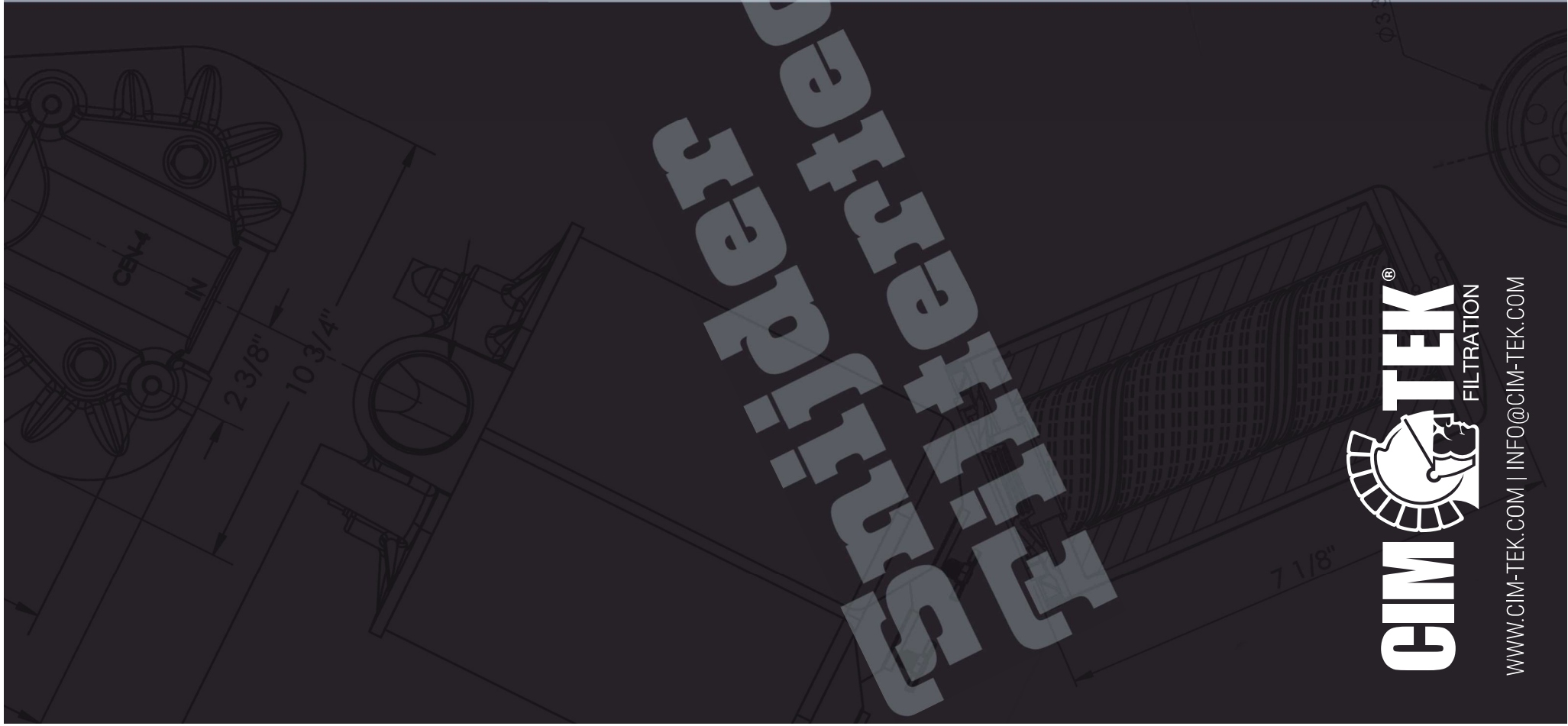
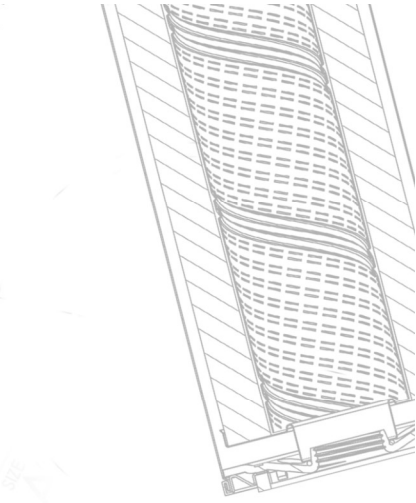
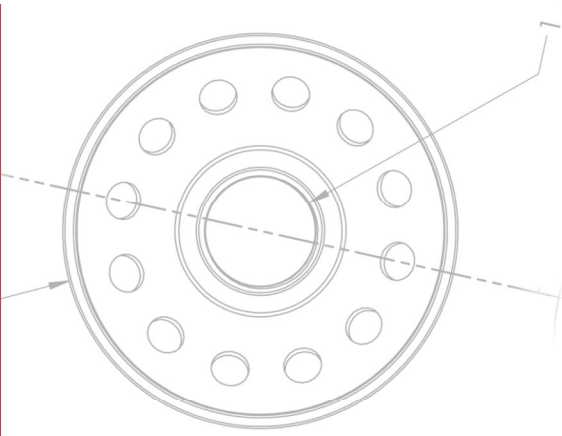
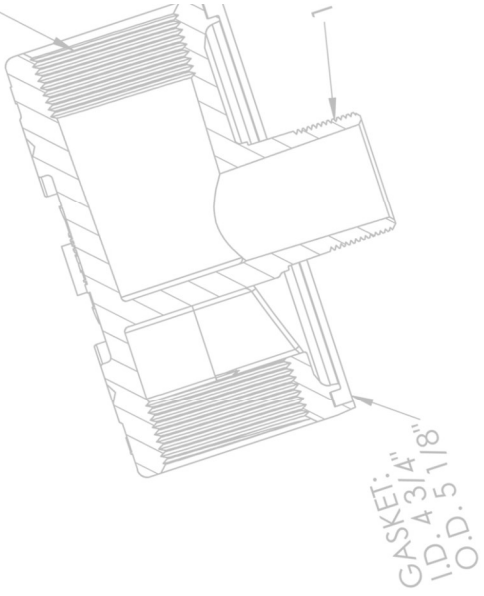
PART #	MODEL #	PAGE	PART #	MODEL #	PAGE	PART #	MODEL #	PAGE
30001	500B-30	CALL	60001	PREVENT/BASE	27	70065	400HS-30	15
30002	E10	23	60002	PREVENT/LOCK	27	70066	260AHS-30	13
30004	E30	23	60035	TANK SAMPLER	26	70067	260HS-30	13
30008	E-1300-10	24	60038	TANK DRYER	26	70068	800HS-30	18
30009	E-1300-30	24	60061	HYDROBURN G	CALL	70075	450HS-10	16
30033	EHS-10	23	60063	HYDROBURN G	CALL	70076	450HS-30	16
30034	E-1300HS-10	24	60067	HYDROBURN D	CALL	70077	300WM-144	14
30036	EHS-30	23	60069	HYDROBURN PSR	26	70080	800WM-144	18
30037	E-1300HS-30	24	60070	FILTER CUP	27	70081	400WM-144	15
30055	FACET REPL	CALL	60072	FILTER CUP, LG	27	70082	300-EMPTY	CALL
30065	E02	23	60074	NOZZLE SHIELD	27	70084	800-EMPTY	CALL
30066	E-1300-02	24	70002	200-10	10	70088	250-30	11
30195	E10M	23	70003	250-10	11	70089	250A-30	11
30202	E-1300MG-10	24	70004	200A-10	10	70090	400-EMPTY	CALL
30203	E-1300MG-07	24	70005	250A-10	11	70092	475-30	17
30204	E-1300MG-03	24	70008	400HG-10	15	70094	260-10	12
30210	E1300WM-144	24	70010	300-10	14	70095	260-30	12
31011	1UM DEF	CALL	70012	300-30	14	70097	475-10	17
31015	5UM DEF	CALL	70015	400-10	15	70098	475HS-10	17
40001	CENTURION SGL	23	70016	400-30	15	70104	400MG-10	15
40013	CENTURION DBL	23	70018	300MB-30	14	70105	400MG-02	15
40020	CENTURION TPL	23	70019	800-10	18	70106	400MB-30	15
40186	VIKING 1	24	70020	800-30	18	70111	475MB-10	17
40187	VIKING 1F	25	70023	450MB-10	16	70117	260MB-10	12
40188	VIKING 2	25	70024	800HG-10	18	70120	400MB-10	15
40189	VIKING 2F	25	70025	300HA-01	14	70122	300MB-10	14
40190	VIKING 3F	25	70027	450-30	16	70221	260AMG-02	13
40191	VIKING 4F	25	70028	800MG-10	18	70225	260AHG-02	13
41060	DEF-TEK HSG	CALL	70032	450MG-10	16	70225	260AMG-10	13
50001	200C	CALL	70034	450-10	16	70227	260AHG-10	13
50002	200H-1	20	70036	800MG-02	18	70230	260MG-02	12
50003	200H-¾	20	70037	800HG-02	18	70232	260HG-02	12
50004	200AH	20	70039	400HA-01	16	70234	260MG-10	12
50011	820	21	70041	800HA-01	18	70235	300HG-10	14
50016N	200H-1 NICKEL	20	70043	475HS-30	17	70236	260HG-10	12
50017N	200H-¾ NICKEL	20	70045	200A-30	10	70806	300-02	14
50032N	400 NICKEL	21	70046	200-30	10	70808	400-02	15
50163N	810N	21	70053	800SL-30	19	70814	800-02	18
50026	805 W/PORTS	21	70057	300MG-02	14	70819	250-02	11
50027	810 W/PORTS	21	70058	300MG-10	14	70821	250A-02	11
50028	820 W/PORTS	21	70059	300HS-10	14	70991	400HA-05	15
50032	400 SERIES	21	70060	400HS-10	15	70993	300HA-05	14
50109	805 (5" DIAM)	21	70061	260AHS-10	13	90601	DP-V1	25
50136	40-B	CALL	70062	260HS-10	13	90602	DP-V4	25
50163	810	21	70063	800HS-10	18	90603	PG-1234	25
50181		20	70064	300HS-30	14			

VITON IS A REGISTERED TRADEMARK OF DU PONT DE NEMOURS & COMPANY CORPORATION.

© 2018 CENTRAL ILLINOIS MANUFACTURING COMPANY. ALL RIGHTS RESERVED.
CENTRAL ILLINOIS MANUFACTURING COMPANY RESERVES THE RIGHT TO CHANGE OR DISCONTINUE ANY MODEL OR SPECIFICATION AT ANY TIME AND WITHOUT NOTICE.

PRINTED IN THE USA.

REV. 091118



GIM-TEK



WWW.GIM-TEK.COM | INFO@GIM-TEK.COM